

# ABB-Welcome

83300-500  
83300-515  
System controller



1	Safety.....	3
2	Intended use .....	3
3	Environment.....	3
	3.1 ABB devices.....	3
4	User Manual.....	3
5	Operation .....	4
	5.1 Standard operation .....	4
6	Technical data.....	5
7	Mounting / Installation .....	6
	7.1 Requirements for the electrician .....	6
	7.2 General installation instructions .....	6
	7.3 Mounting .....	7
	7.4 Connection.....	7

## 1 Safety



### Warning

#### Electric voltage!

Risk of death and fire due to electrical voltage of 230 V.

- Work on the 230V supply system may only be performed by authorised electricians!
- Disconnect the mains power supply prior to installation and/or disassembly!

## 2 Intended use

The 83300-500 system controller is an integral part of the ABB-Welcome door communication system and operates exclusively with components from this system. The device must only be installed on mounting rails according to DIN EN 500022.

## 3 Environment



### Consider the protection of the environment!

Used electric and electronic devices must not be disposed of with domestic waste.

- The device contains valuable raw materials which can be recycled. Therefore, dispose of the device at the appropriate collecting depot.

### 3.1 ABB devices

All packaging materials and devices from ABB bear the markings and test seals for proper disposal. Always dispose of the packaging material and electric devices and their components via the authorized collecting depots and disposal companies.

ABB products meet the legal requirements, in particular the laws governing electronic and electrical devices and the REACH ordinance.

(EU-Directive 2002/96/EG WEEE and 2002/95/EG RoHS)

(EU-REACH ordinance and law for the implementation of the ordinance (EG) No.1907/2006)

## 4 User Manual

Detailed information for planning ABB-Welcome systems is contained in the user manual. Download at [www.Busch-Jaeger.com](http://www.Busch-Jaeger.com).

## 5 Operation

### 5.1 Standard operation

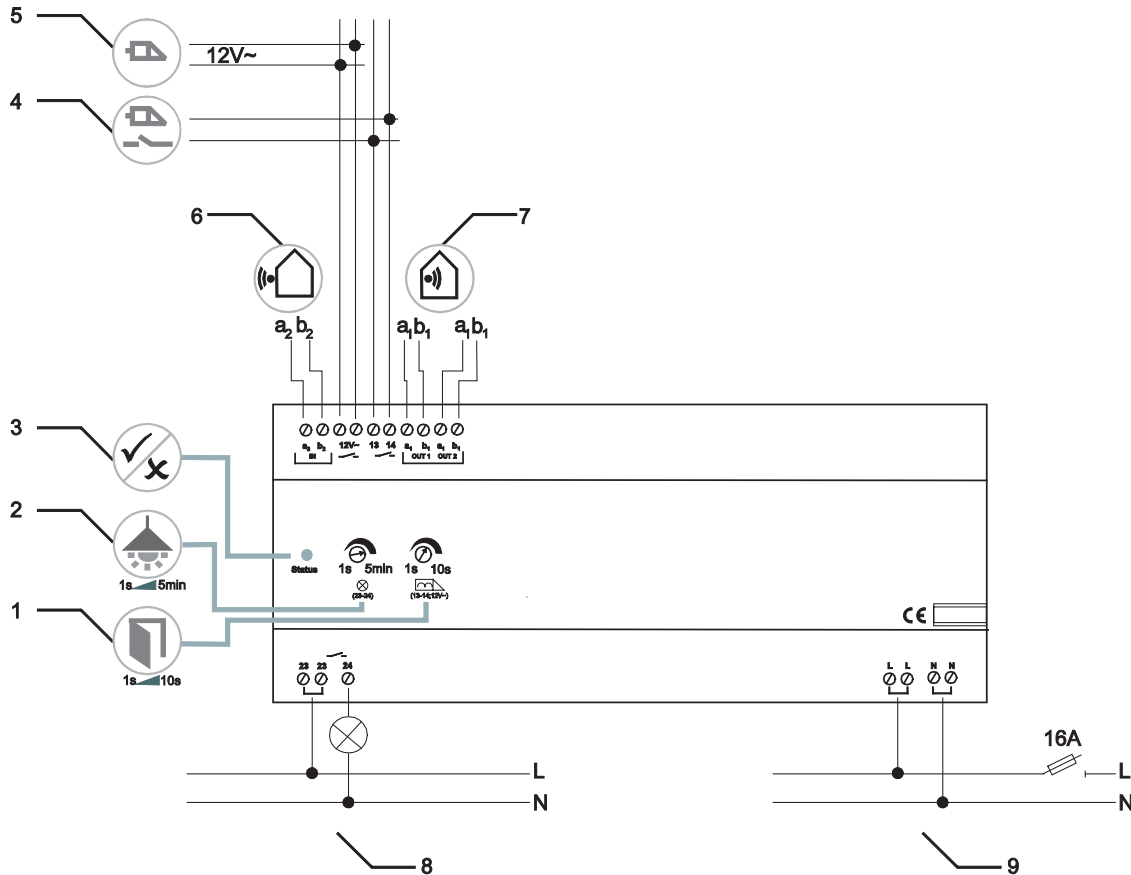


Fig. 1:

No.	Function
1	Setting the duration for the door opener – When activated, the door can be opened during the period from 1 second to 10 seconds, depending on the setting.
2	Setting the duration of the lighting – When activated, the lighting remains on for 1 second to 5 minutes, depending on the setting.
3	Status LED <ul style="list-style-type: none"> <li>● The status LED lights up permanently = the device is operating</li> <li>⊗ The status LED flashes slowly = the device is operating</li> <li>⊗ The status LED flashes fast = there is an error</li> </ul>
4	Floating output of door opener
5	Power supply of door opener
6	<ul style="list-style-type: none"> <li>• Connection for the indoor station</li> <li>• When using several indoor stations: connection for the internal bus</li> </ul>
7	<ul style="list-style-type: none"> <li>• Connection for the outdoor station</li> <li>• When using several outdoor stations: connection for the external bus</li> </ul>
8	Floating output for the light
9	Power supply

## 6 Technical data

Designation	Value
Operating temperature	-5°C to +45°C
Storage temperature	-20°C – +70°C
Protection	IP 20
Single-wire clamps	2 x 0.6 mm <sup>2</sup> – 2 x 1 mm <sup>2</sup>
Fine-wire clamps	2 x 0.6 mm <sup>2</sup> – 2 x 0.75 mm <sup>2</sup>
Volume	Maximum 80 dB
Mains voltage	100-240 V, 50 / 60 Hz, 0.9 A
Power supply for door opener	12 V~; 1.6 A
Floating output for door opener	30 V AC/DC; 3 A
Floating output for light	230 V~; 3 AX
Bus voltage	28 V- ±2 V, 1.5 A
Size	12 TE

## 7 Mounting / Installation



### Warning

#### Electric voltage!

Risk of death and fire due to electrical voltage of 230 V.

- Low-voltage and 230 V cables must not be installed together in a flush-mounted socket!  
In case of a short-circuit there is the danger of a 230 V load on the low-voltage line.

### 7.1 Requirements for the electrician



### Warning

#### Electric voltage!

Install the device only if you have the necessary electrical engineering knowledge and experience.

- Incorrect installation endangers your life and that of the user of the electrical system.
- Incorrect installation can cause serious damage to property, e.g. due to fire.

The minimum necessary expert knowledge and requirements for the installation are as follows:

- Apply the "five safety rules" (DIN VDE 0105, EN 50110):
  1. Disconnect from power;
  2. Secure against being re-connected;
  3. Ensure there is no voltage;
  4. Connect to earth;
  5. Cover or barricade adjacent live parts.
- Use suitable personal protective clothing.
- Use only suitable tools and measuring devices.
- Check the type supply network (TN system, IT system, TT system) to secure the following power supply conditions (classic connection to ground, protective earthing, necessary additional measures, etc.).

### 7.2 General installation instructions

- Terminate all branches of the wiring system via a connected bus device (e.g., indoor station, outdoor station, system device).
- Do not install the system controller directly next to the bell transformer and other power supplies (to avoid interference).
- Do not install the wires of the system bus together with 230 V wires.
- Do not use common cables for the connecting wires of the door openers and wires of the system bus.
- Avoid bridges between different cable types.
- Use only two wires for the system bus in a four-core or multi-core cable.
- When looping, never install the incoming and outgoing bus inside the same cable.
- Never install the internal and external bus inside the same cable.

7.3 Mounting

The device 83300-500 must only be installed on mounting rails according to DIN EN 500022.

7.4 Connection

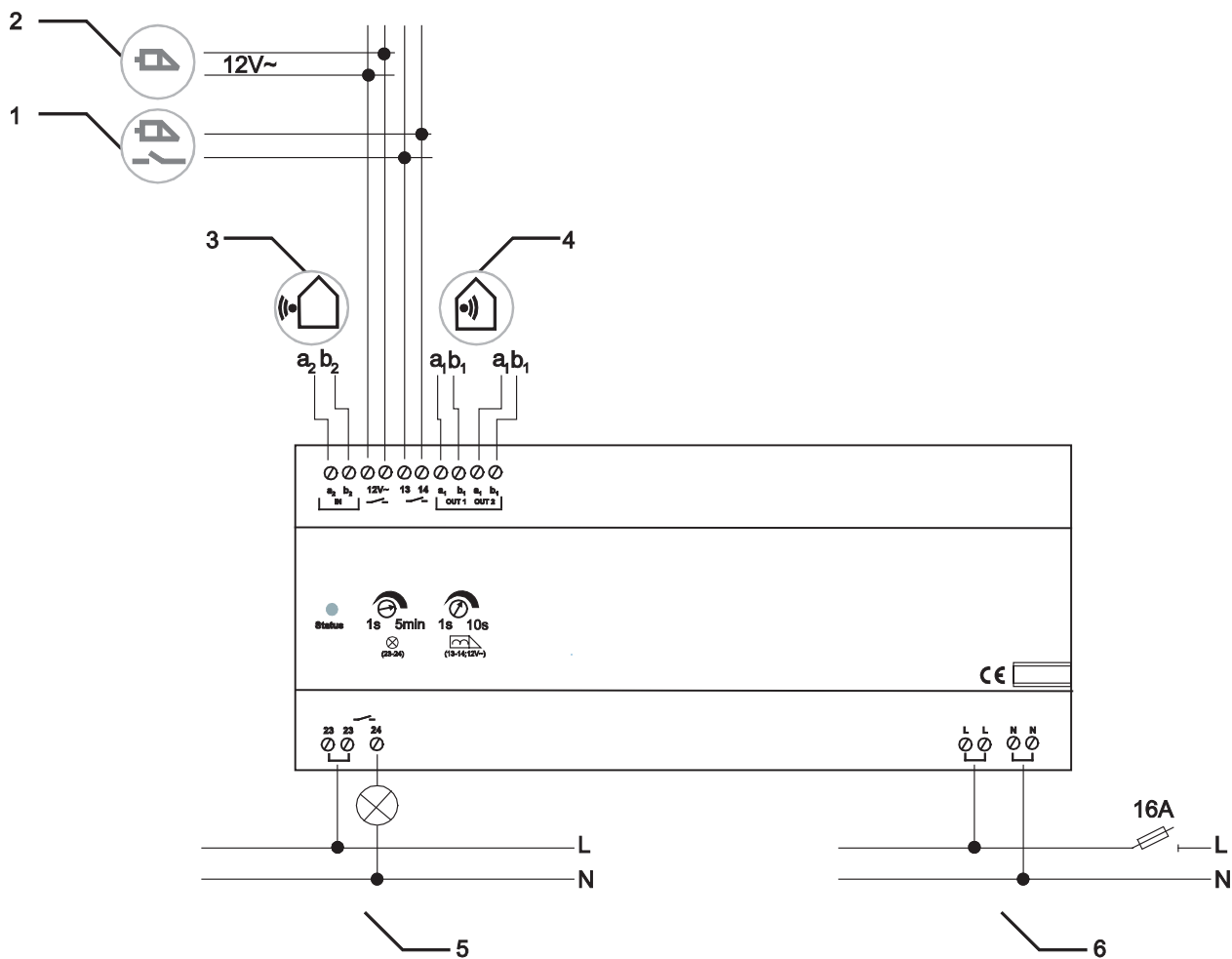


Fig. 2:

No.	Function
1	Floating output of door opener
2	Power supply of door opener
3	<ul style="list-style-type: none"> <li>• Connection for the indoor station</li> <li>• When using several indoor stations: connection for the internal bus</li> </ul>
4	<ul style="list-style-type: none"> <li>• Connection for the outdoor station</li> <li>• When using several outdoor stations: connection for the external bus</li> </ul>
5	Floating output for the light
6	Power supply

Video for mounting and connecting the device





A member of the ABB Group

**Busch-Jaeger Elektro GmbH**

PO box  
58505 Lüdenscheid

Freisenbergstraße 2  
58513 Lüdenscheid  
Germany

**www.BUSCH-JAEGER.com**

info.bje@de.abb.com

**Central sales service:**

Phone: +49 180 5 669900

Fax: +49 180 5 669909

**Notice**

We reserve the right to at all times make technical changes as well as changes to the contents of this document without prior notice. The detailed specifications agreed to at the time of ordering apply to all orders. ABB accepts no responsibility for possible errors or incompleteness in this document.

We reserve all rights to this document and the topics and illustrations contained therein. The document and its contents, or extracts thereof, must not be reproduced, transmitted or reused by third parties without prior written consent by ABB.

Copyright© 2012 Busch-Jaeger Elektro GmbH  
All rights reserved